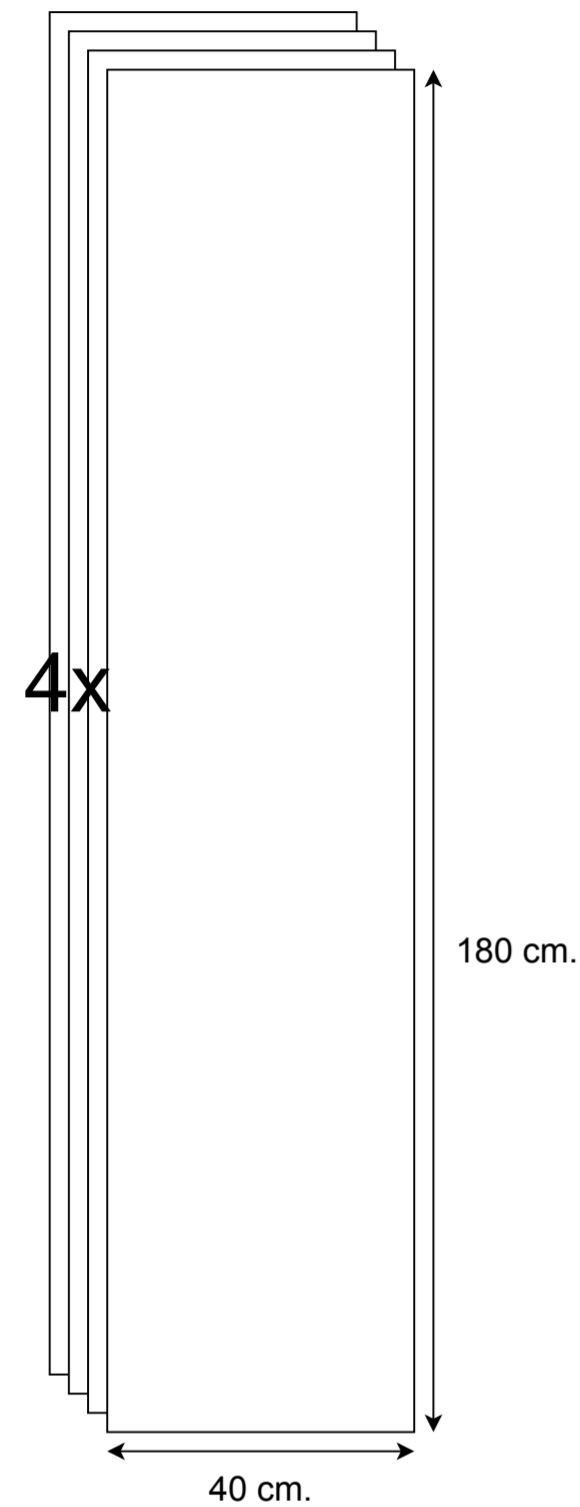


Do not hesitate to contact if any explanation is required or any doubt arises in your mind...  
Here we are to help you. Thanks for your cooperation.

Rev. 20210504

## Construction:

We need to build in place the wooden box where the actors sit on. For that, we need some easy workshop materials. It would be optimal if the company could travel the day before the performance to prepare this at the theatre workshop.



- 4 pieces of plain simple solid wood board (~15 mm thickness)

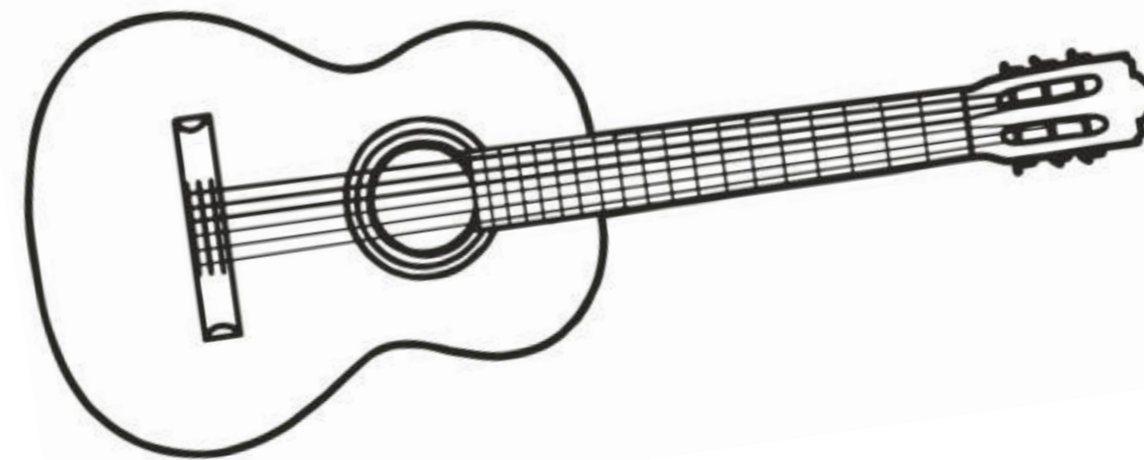
Measuring:  
40 x 180 cm



- electrical drill / screwdriver

## Scenery:

We also need, if possible, to avoid travelling with it and because it is an "everywhere instrument", an standard spanish classical nylon stringed guitar. Easy cake! ;o)



Do not hesitate to contact if any explanation is required or any doubt arises in your mind... Here we are to help you. Thanks for your cooperation.